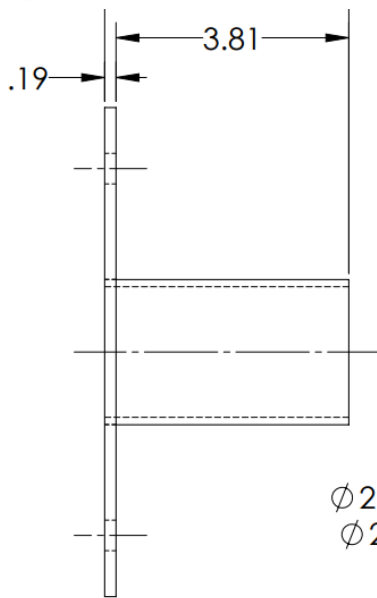


Wall Mount Tenon Extension



$\phi 2.38$ OD
 $\phi 2.14$ ID

