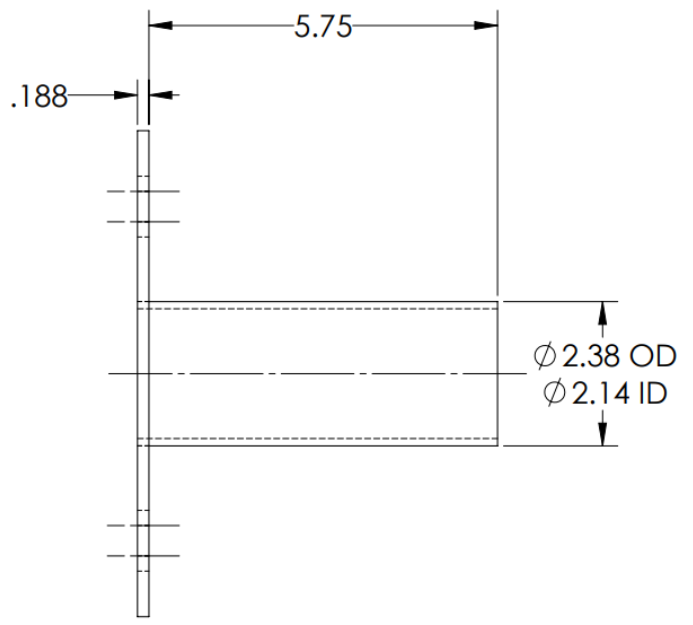
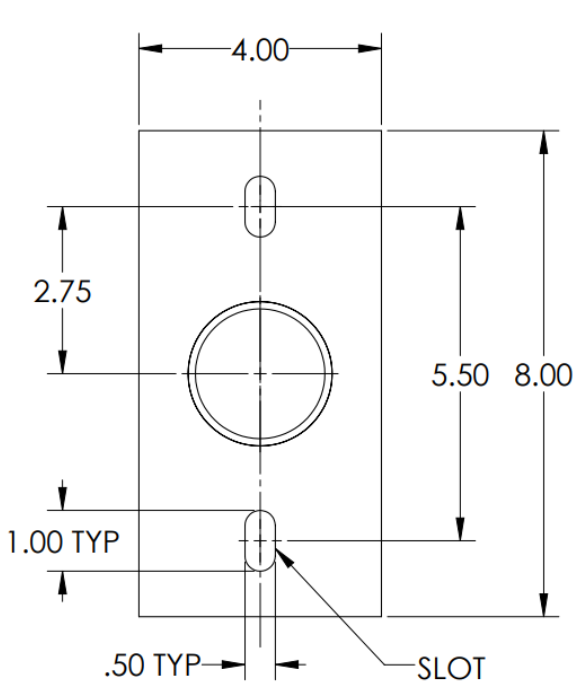


# Side Tenon for Square Poles



SLOT  
AS SHOWN  
CUT THRU  
2 PLACES

